

mackworth

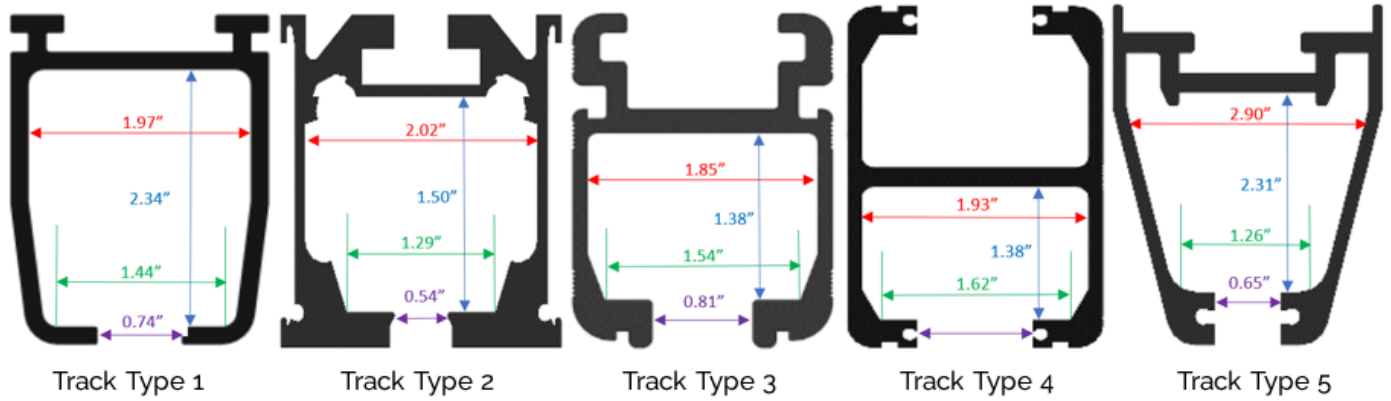
# CPP Portable Lift



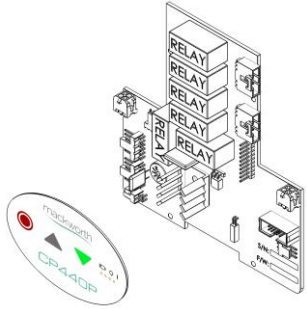
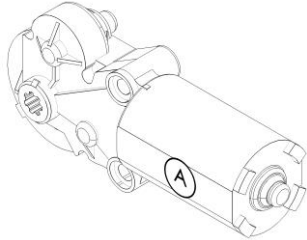
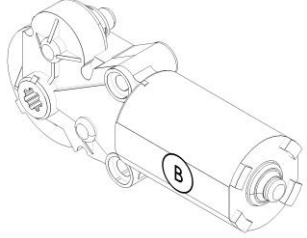
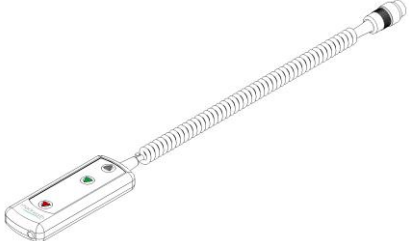
## Spare Parts Manual

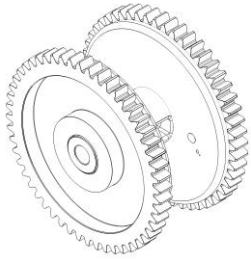
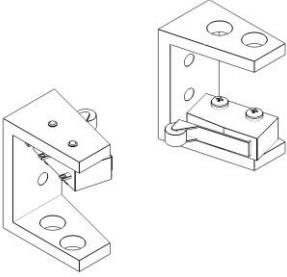
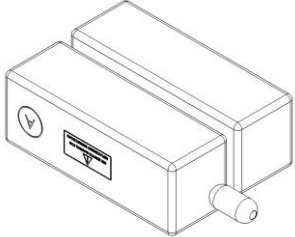
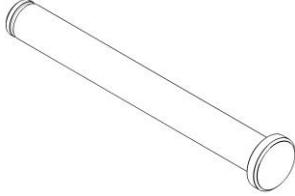
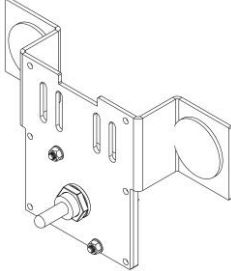
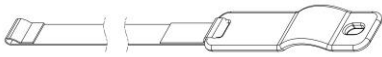
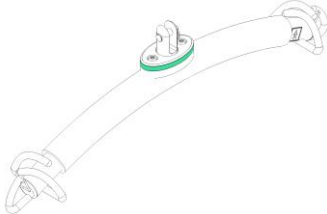
## 1 Spare Parts

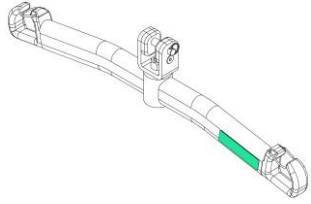
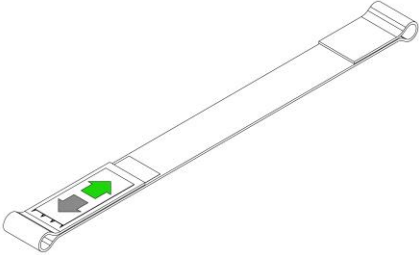


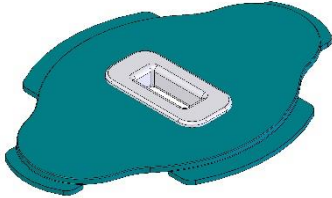
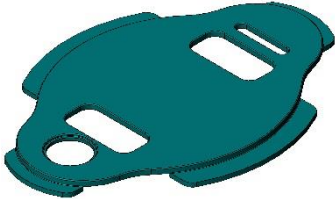
The Mackworth CPP Portable Lift is available in different configurations dependent on track profile. The track profiles are shown below. Please consult the table to find the replacement parts that are compatible with these specific track configurations.

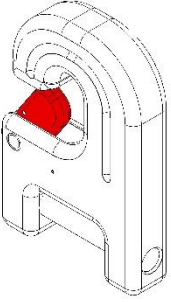
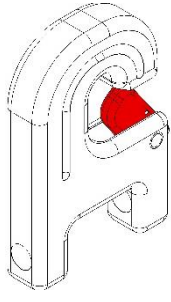
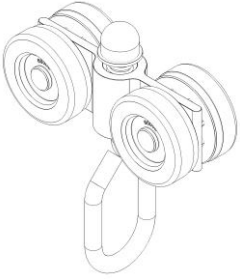
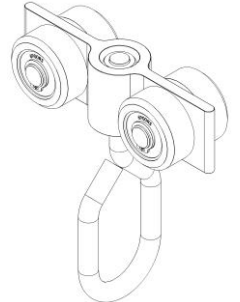
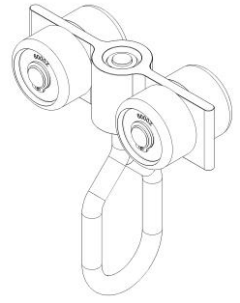
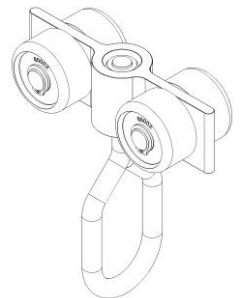


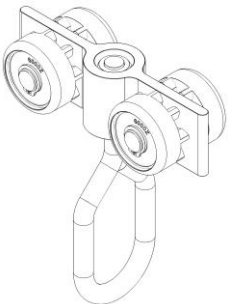
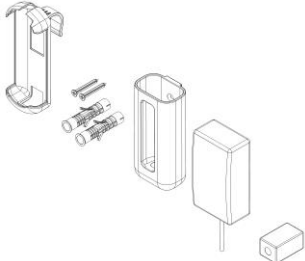
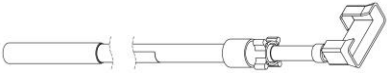

Please refer to the information in the table below for complete list of spare parts available for the Mackworth CPP Portable Lift. Please note that these details are subject to change.

Article No.	Part Illustration	Description – Part Code
1.		CP440P PCB & Membrane - 108915
2.		CPP Lift Motor A - 108442
3.		CPP Lift Motor B - 108443
4.		Mackworth CPP Handset - 108095

5.		CPP Hub Assembly - 108001
6.		CPP Limit Switch Assembly - 108036
7.		CPP Battery Set (Pair)- 108901
8.		CPP Strap Pin - 108013
9.		CPP Emergency Lower Switch Assembly - 108222
10.		CPP Emergency Lower Cord - 108840
11.		CPP 440 lb Black Carry Bar Assembly -300501

12.		CPP 440 lb White Carry Bar Assembly - 300512
13.		CPP 440 lb/200 kg Lift Tape Assembly - 440090
14.		CP440P Front Cover Kit - 108447
15.		CP440P Rear Cover Kit - 108448
16.		CP440P Top Cover Kit - 108839
17.		CP440P Bottom Cover - 108156

<p>18.</p>		<p>CPP Lift Tape QRS Hook Assy – 430001</p>
<p>19.</p>		<p>CPP Trolley QRS Hook Assy - 108067</p>
<p>20.</p>		<p>CPP Trolley (Track Type 1) – 108060</p>
<p>21.</p>		<p>CPP Trolley (Track Type 2) - 108130</p>
<p>22.</p>		<p>CPP Trolley (Track Type 3) -108120</p>
<p>23.</p>		<p>CPP Trolley (Track Type 4) - 108120</p>

<p>24.</p>		<p>CPP Trolley (Track Type 5) - 108220</p>
<p>25.</p>		<p>CPP Wall Mounted Charger Kit - 104037</p>
<p>26.</p>		<p>CPP Reacher Pole - 430046</p>
<p>27.</p>		<p>Mackworth CP440P User Manual (English US) - 999086-en-us</p>

**2 Notes**

### 3 Contacts

**Dealer/service contact details:**

**Contact details:**

**Mackworth USA**  
54 West Industrial Drive  
O'Fallon, MO 63366 USA  
314-889-1000  
[www.mackworthusa.com](http://www.mackworthusa.com)

**Disclaimer**

While every effort has been made to ensure the accuracy of information contained in this manual, no liability can be accepted by Mackworth for any errors or omissions. Mackworth operates a policy of continuous improvement. Specifications and other data are subject to change without notice.



mackworth

54 West Industrial Drive  
O'Fallon, MO 63366 USA

