

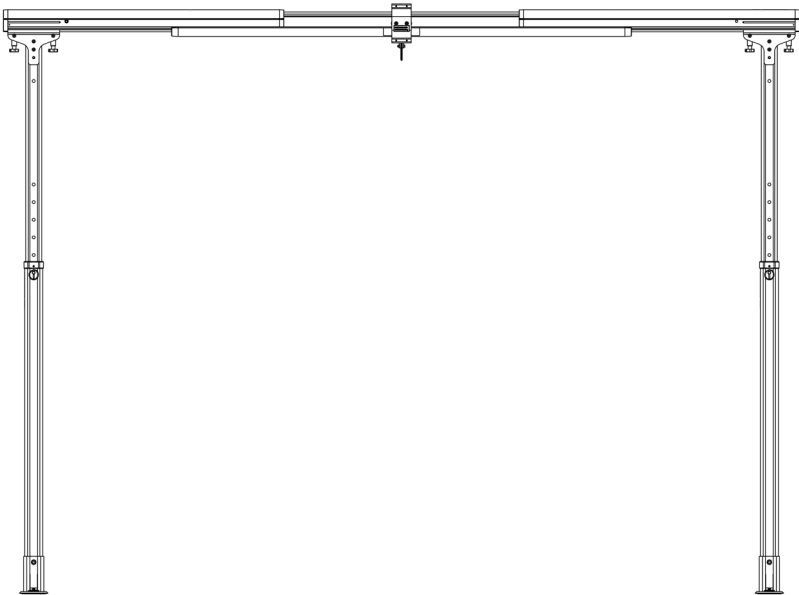
mackworth

FSG440 PORTABLE GANTRY



SPARE PARTS MANUAL

1. Contents



Description	Page(s)
Spare Parts Summary	3
Part Code Detail	4-5
Notes	6-7
Contacts	8

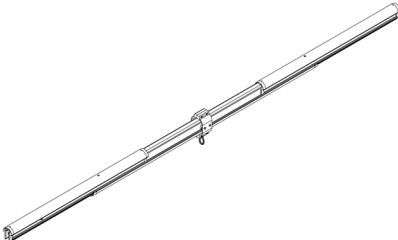
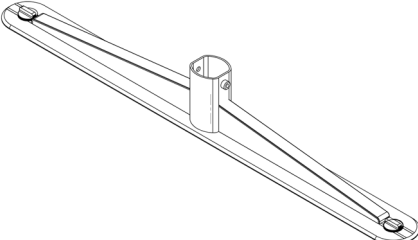
2. Spare Parts Summary

Part Code	Description
114101	FSG440 Side Post Assembly
114104	FSG440 Track Assembly
114007	FSG440 Foot Assembly
540105	FSG440 Trolley Set (Type 1)
114044	FSG440 End Cap
114066	FSG440 Leg Lock Kit
999548	FSG440 User Manual

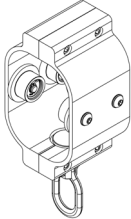
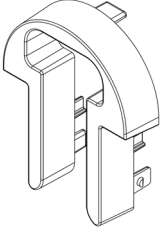
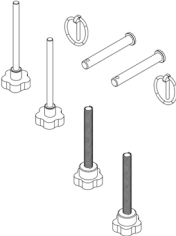

PRODUCT VARIATIONS

- 114100 - Mackworth FSG440

3. Part Code Detail

 A technical line drawing of a long, thin metal side post assembly. It features a threaded section near one end and a bracket-like structure at the other end.	<p>FSG440 Side Post Assembly 114101</p>
 A technical line drawing of a long, thin metal track assembly with a central sliding mechanism.	<p>FSG440 Track Assembly 114104</p>
 A technical line drawing of a metal foot assembly with a central mounting point and two angled legs.	<p>FSG440 Foot Assembly 114007</p>

Part Code Detail

	<p>FSG440 Trolley Set (Type 1) 540105</p>
	<p>FSG440 End Cap 114044</p>
	<p>FSG440 Leg Lock Kit 114066</p>
 <p>USER MANUAL</p>	<p>FSG440 User Manual 999548</p>



4. Notes



Notes

5. Contacts

DEALER CONTACT DETAILS

MANUFACTURER CONTACT DETAILS

Unit 1, Tir Llwyd Industrial Estate, St Asaph Avenue, Kinmel Bay,
Conwy, United Kingdom, LL18 5JZ

Telephone: +44 (0)1924 840100

DISCLAIMER

While every effort has been made to ensure the accuracy of information contained in this manual, no liability can be accepted by Mackworth for any errors or omissions. Mackworth operates a policy of continuous improvement. Specifications and other data are subject to change without notice.

mackworthusa.com

UK
CA

