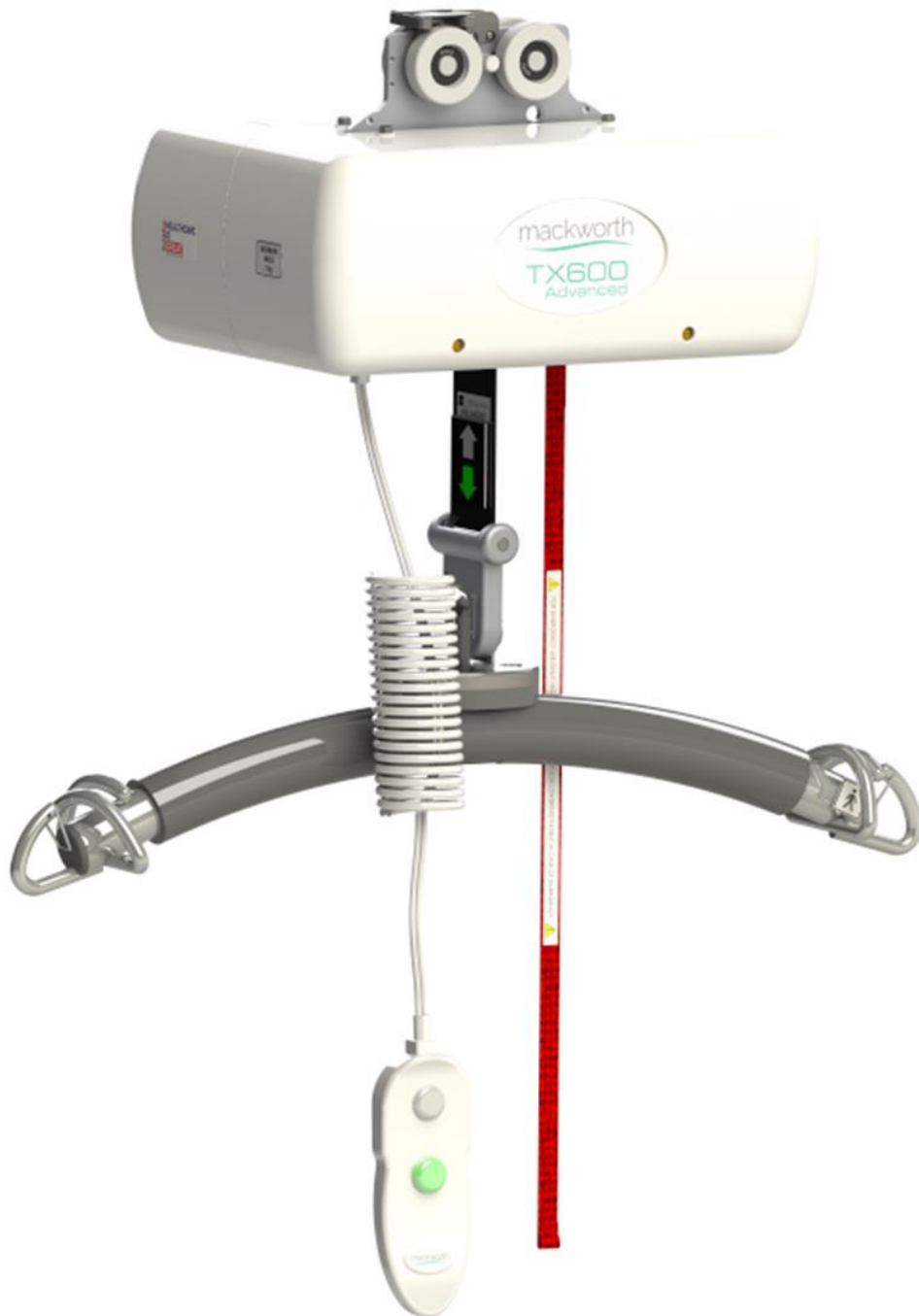


mackworth

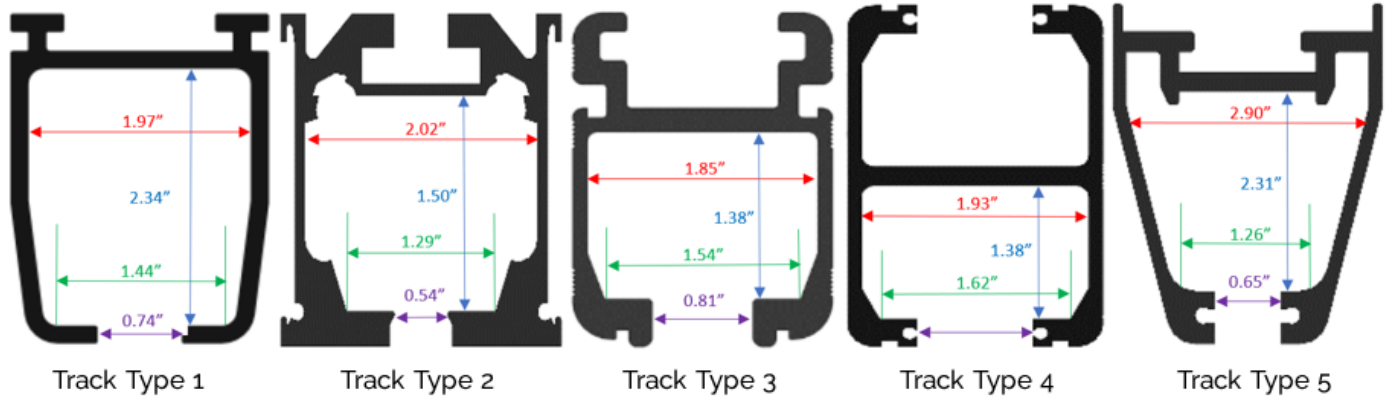
TX Advance Ceiling Lift



Spare Parts Manual

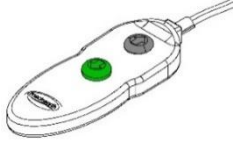
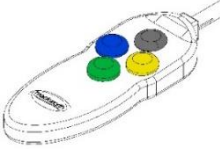
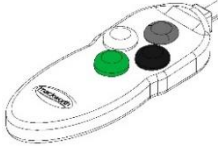
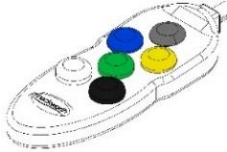

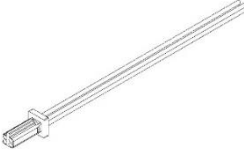

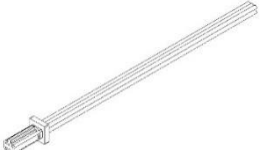
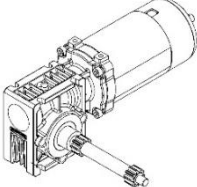
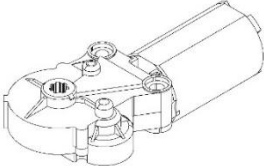
1 Spare Parts

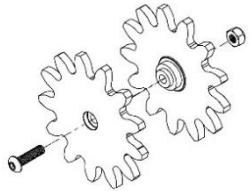
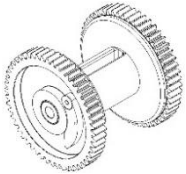
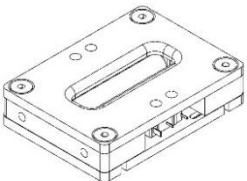
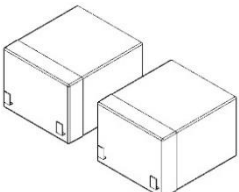
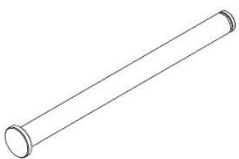
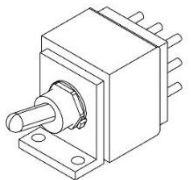

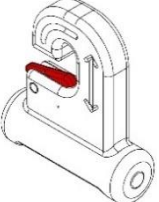
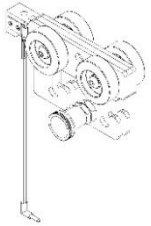
Mackworth TX Advanced is available in different configurations dependent on track profile. The track profiles are shown below. Please consult the table to find the replacement parts that are compatible with these specific track configurations.

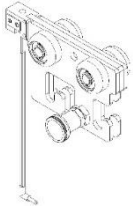
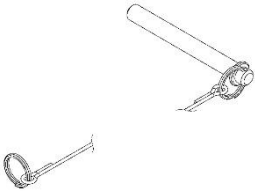


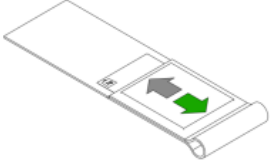
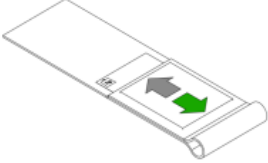








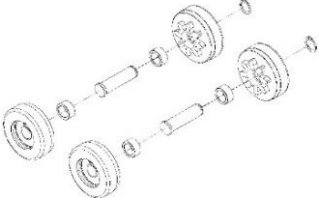
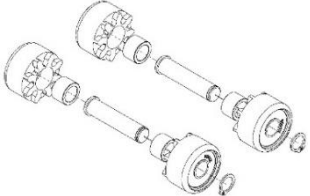
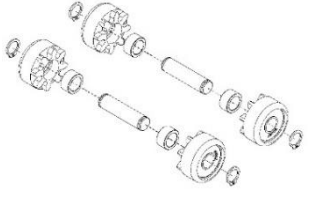
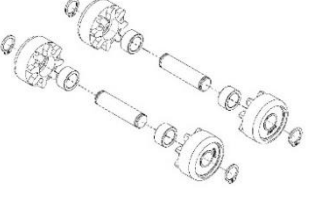
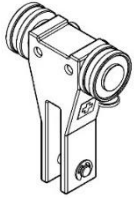
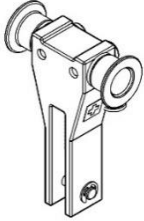

Please refer to the information in the table below for complete list of spare parts available for the CPP440. Please note that these details are subject to change.

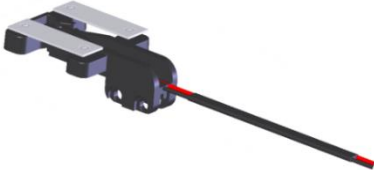
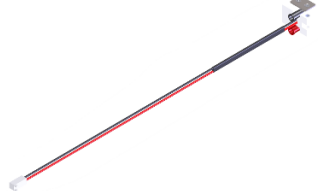
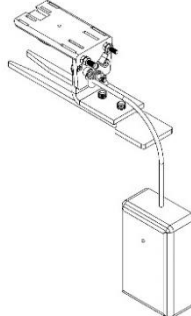
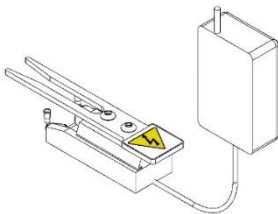
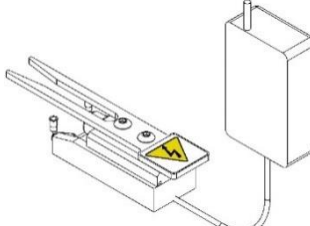


Article No.	Part Illustration	Description – Part Code
1.		TX 2 Way PCB - 440 lb SWL - 122078-200
2.		TX 2 Way PCB - 600 lb SWL - 122078-272
3.		TX 4 Way PCB - 440 lb SWL - 122058-200
4.		TX 4 Way PCB - 600 lb SWL - 122058-272
5.		TX 6 Way PCB - 440 lb SWL - 122131-200
6.		TX 6 Way PCB - 600 lb SWL - 122131-272

7.		TX 2 Way Handset - 122073
8.		TX 4 Way Handset - 122081
9.		TX 4 Way Handset (Powered Aux) - 122349
10.		TX 6 Way Handset - 122075
11.		TX 2 Way Grommet & Air Tube Assembly - 122018
12.		TX 4 Way Grommet & Air Tube Assembly - 122019
13.		TX 4 Way Grommet/Tube (Powered Aux) - 122121
14.		TX 6 Way Grommet & Air Tube Assembly - 122082
15.		TX Lift Motor - 122009
16.		TX Drive Motor - 101026

17.		TX Traverse Gears Kit - 122906
18.		TX Hub Assembly - 122012
19.		TX Limit Switch Assembly - 122003
20.		TX Battery Set (Pair) - 122801
21.		TX Strap Pin - 122050
22.		TX Emergency Lower Switch Assembly - 122020
23.		TX Emergency Lower Cord - 122011
24.		TX QRS Hook Assembly - 430061
25.		TX QRT Trolley Set (Track Type 1) - 600075

26.		TX QRT Trolley Set (Track Type 5) - 810010
27.		TX QRT Locking Pin & Chain Assembly - 122907
28.		TX440lb Carry Bar Assembly - 300501
29.		TX600lb Carry Bar Assembly - 300500
30.		TX440lb Lift Tape Assembly - 440042
31.		TX600lb Lift Tape Assembly - 440041
32.		TX440 Advanced Cover Set (Driven) - 122900
33.		TX600 Advanced Cover Set (Driven) - 122901
34.		TX440 Advanced Cover Set (Powered "H") - 122902
35.		TX600 Advanced Cover Set (Powered "H") - 122903

36.		TX440 Advanced Cover Set (Manual) - 122904
37.		TX600 Advanced Cover Set (Manual) - 122905
39.		TX Wheel & Axle Kit (Track Type 2) - 122806
40.		TX Wheel & Axle Kit (Track Type 3) - 122811
41.		TX Wheel & Axle Kit (Track Type 4) - 122812
42.		TX Wheel & Axle Kit (Track Type 5) - 122812
43.		TX Constant Charge Beak (Track Type 1) - 122342
44.		TX Constant Charge Beak (Track Type 2) - 122351
45.		TX Charging Beak (Powered Turntable) - 122122

46.		TX Charging Beak (Track Type 1) - 600021
47.		TX Charging Beak (Track Type 2/3/4/5) - 140016
48.		TX Charger Assembly (Track Type 1) - 122100
49.		TX Charger Assembly (Track Type 2) - 122327
50.		TX Charger Assembly (Track Type 3/4/5) - 122326
51.		TX "H" System Curly Cable - 200066
52.		Mackworth TX Advanced User Manual - 999674

Dealer/service contact details:

Contact details:

Mackworth USA
54 West Industrial Drive
O'Fallon, MO 63366 USA
314-889-1000
www.mackworthusa.com

Disclaimer

While every effort has been made to ensure the accuracy of information contained in this manual, no liability can be accepted by Mackworth for any errors or omissions. Mackworth operates a policy of continuous improvement. Specifications and other data are subject to change without notice.

