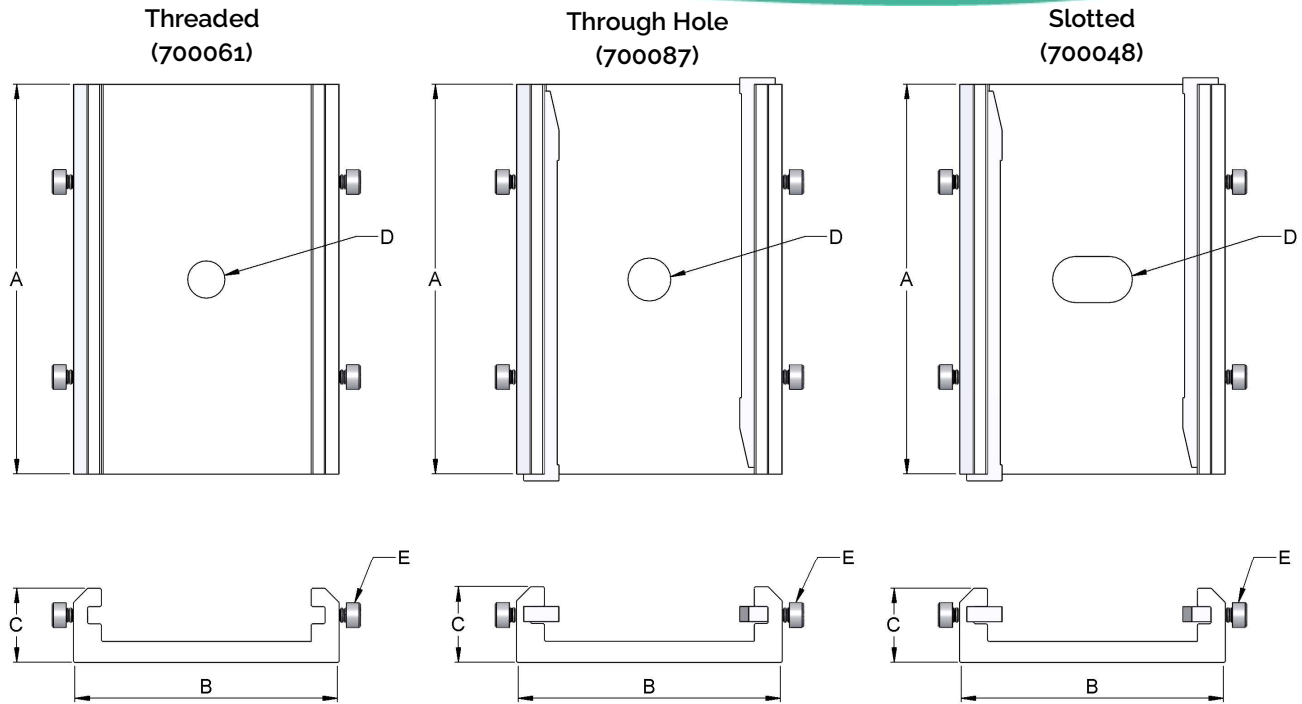


# 110mm Track Brackets Data Sheet



- For ceiling track installation, the threaded track bracket is the first choice to use, with the unthreaded bracket an option used with turntable fixings. (depending on the turntable mounting hole state)
- The 110mm is used to link two tracks together.
- Slotted track brackets are used to allow additional tolerance during an installs to allow for inaccuracies.

55mm Track Bracket Dimensions (mm/inches)			
Dimensions (Ref to drawing)	Threaded	Through Hole	Slotted
A	110mm (4.3")	110mm (4.3")	110mm (4.3")
B	74mm (2.9")	74mm (2.9")	74mm (2.9")
C	21mm (0.82")	21mm (0.82")	21mm (0.82")
D	M12x1.5mm	ø12.1	13mm X 22.5mm
E	M3 Screw	M3 Screw	M3 Screw

