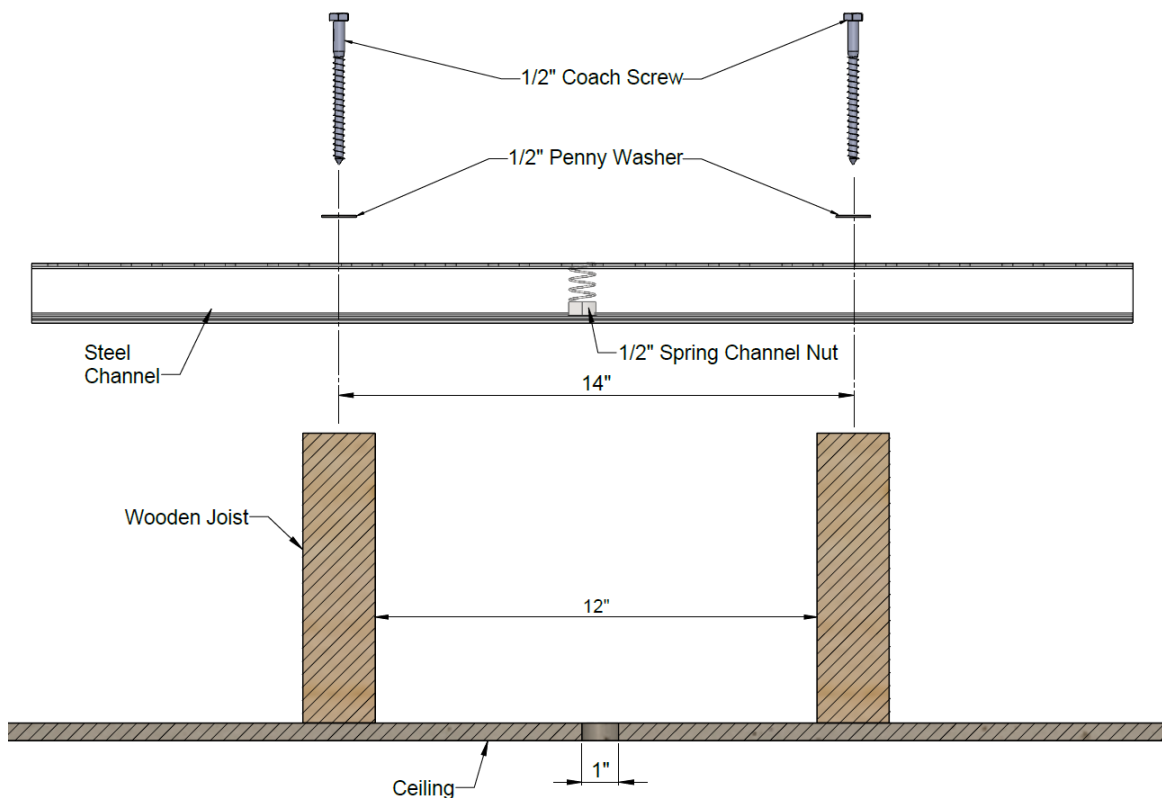
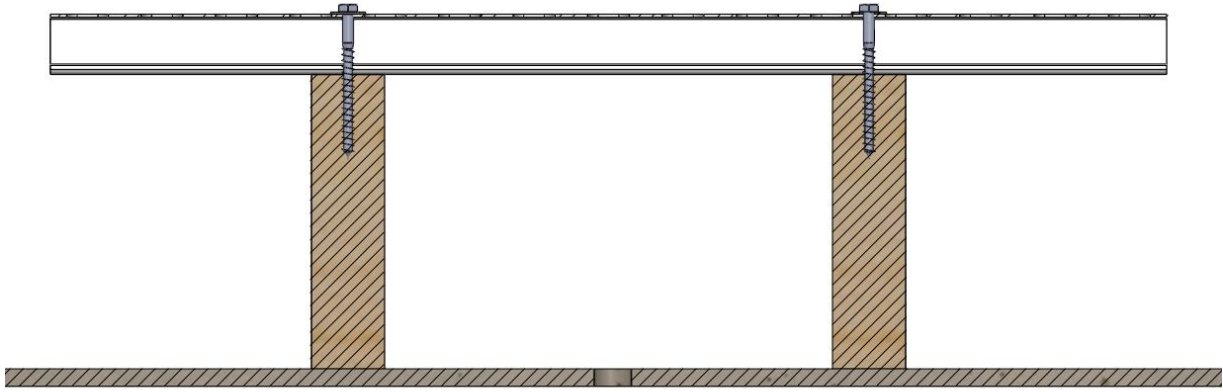


Straight Track (With Loft Access) Installation Quick Guide

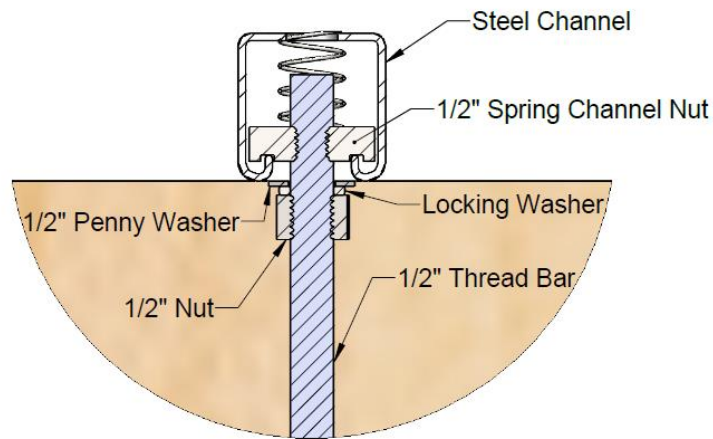
This document is a quick guide on how to install a straight track system onto a timber ceiling following the most common style of timber install when there is access to the joists from above. (With loft access). This install is also referred to as the up/down bracket install. **A full assessment of the joist condition and install suitability must be completed prior to the install by an assessor.** This method of install will allow the track to span parallel, perpendicular and diagonal to the joists. For further information on the installations, refer to the installation manual.

1. Determine the location where the track brackets are to be fitted on the ceiling. Ensure that the track bracket is in the centre between two joists, at worst case, 2/3 towards one of the two joists. **It is not permitted for a single joist to suspend the load of a track system.**
2. With the location of the track brackets determined, drill a 1" hole through the plasterboard which will become visible from above (within the loft).
3. From above (within the loft), mark out the centre of the two joists either side where the steel channel is to be fitted. For a tidy installation, use a laser to ensure the steel channel will be aligned horizontally.
4. Using a 5/16" drill bit, drill a 3.54" deep hole from above directly in the centre of the two joists.
5. Cut a piece of steel channel to a length that will span across the two joists.
6. Insert the spring channel nut into the steel channel, align where the track bracket is to be located. The spring channel nut is locked in place by rotating 90° within the steel channel. Ensure that the spring is facing upward. See image for reference.
7. Fix the steel channel to the joists using the 1/2" coach bolts. This will require a 3/4" spanner to tighten. Ensure to place the 1/2" penny washer onto the coach bolt during fitment.

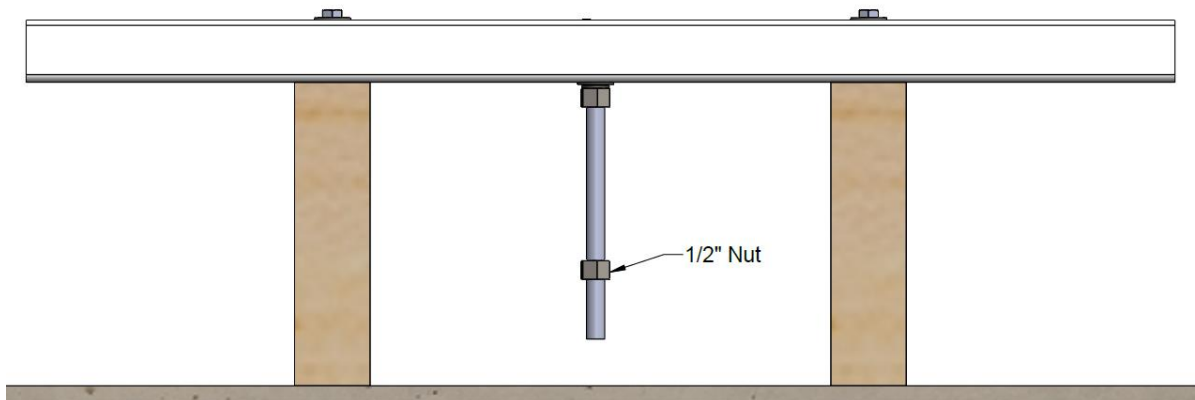




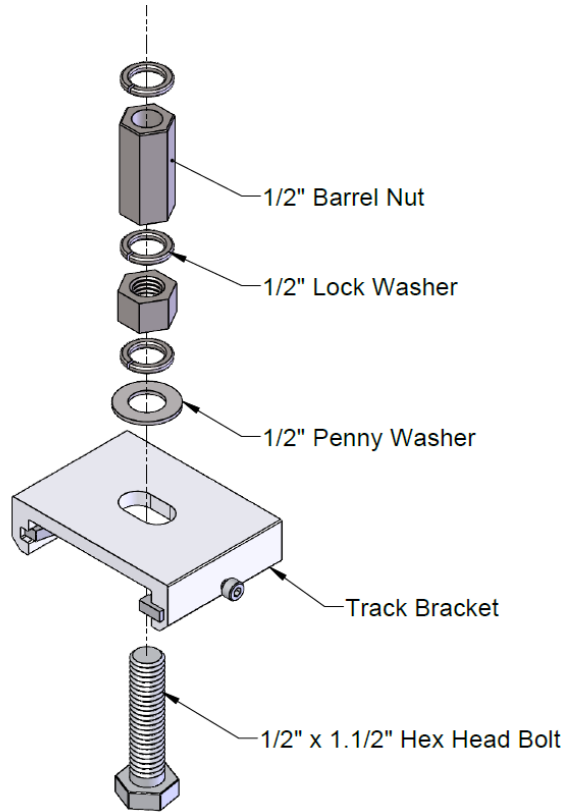
- 8.** Cut a piece of threaded bar to length, this will vary depending on the joist height.
- 9.** Thread the threaded bar into the spring channel nut and secure in place with a ½" penny washer, ½" locking washer and ½" hex nut.



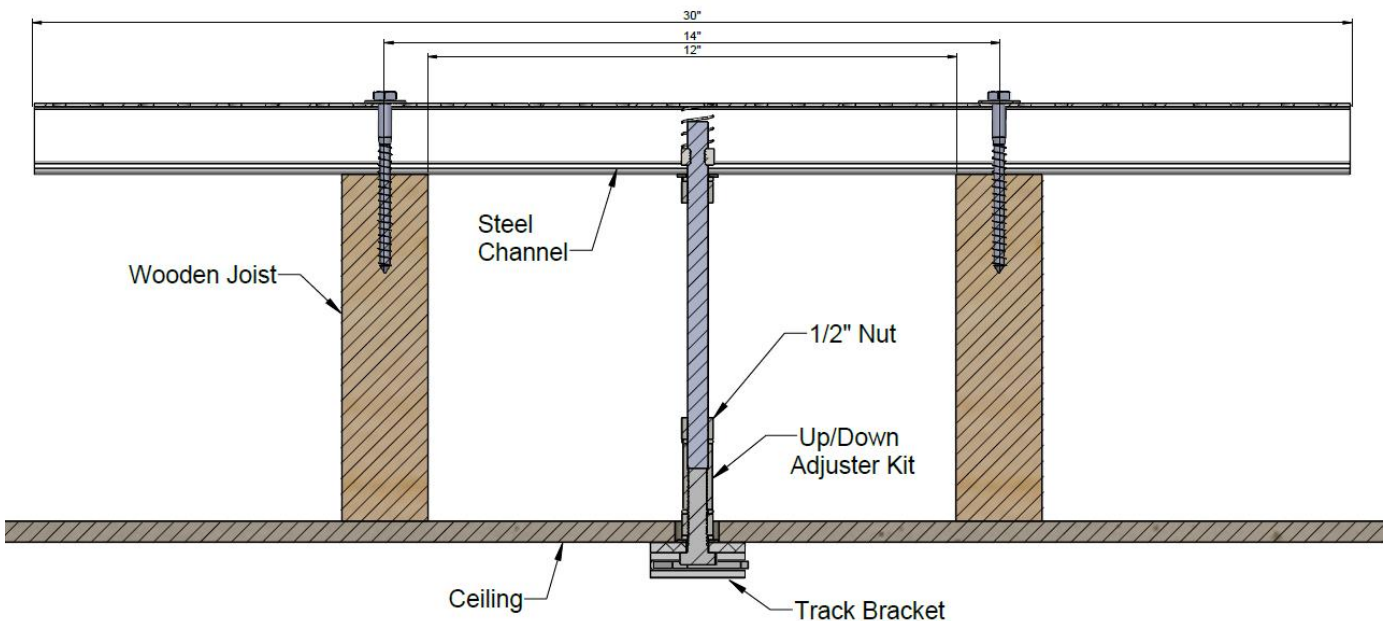
- 10.** Once the threaded bar is secure, thread a ½" hex nut to the bottom end of the threaded bar, but provide enough threaded bar below to fix the adjustable barrel nut below.



- 11.** Place the 1/2" x 1.1/2" hex bolt through the track bracket and secure the assembly with a 1/2" penny washer, 1/2" locking washer, 1/2" hex nut, 1/2" locking washer and 1/2" barrel nut.



- 12.** Thread the up/down adjuster kit (track bracket assy) onto the threaded bar, with a 1/2" locking washer on top. The length of the barrel nut allows adjustment to align the track bracket flush with the ceiling.



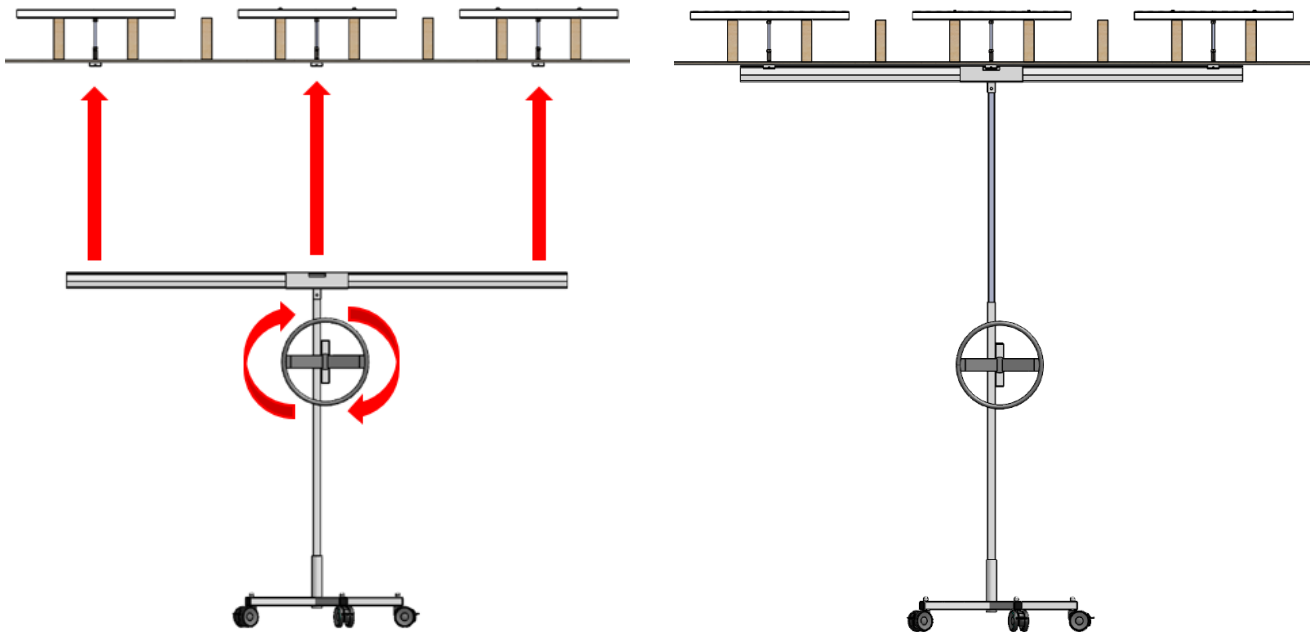
- 13.** Once the alignment is made, thread the 1/2" hex nut (from step 9) down until it tightens against the barrel nut, securing the system. This will require a 3/4" spanner.

Standard Track Fitting

A standard track installation would require two people to raise the track. When raising, ensure that each track brackets align with the track profile, and allows the track wedges to be fitted correctly.

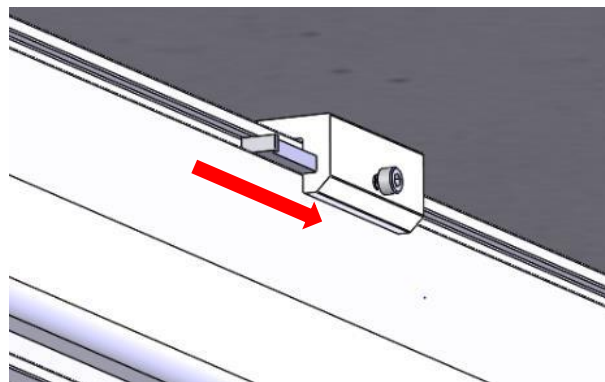
Assisted Track Fitting

To install the track system alone (one person install), a track lifting device can be purchased which will raise the track to the desired height. This device is operated by rotating the wheel until the track has raised and aligned. See image below for reference.



Fitting the Track Wedges

Once the track is aligned within the track brackets, track wedges are required to secure the track, a total of two wedges must be fitted, one on either side of the bracket, and are inserted in the opposite directions. Once the wedges have been fitted, the M3 screws on either side of the track bracket must be tightened to secure the track.



When two tracks are linking, longer track brackets are used to secure two pieces of track. These brackets are secured using longer wedges, and are fitted the same way as stated above.

Installation complete.