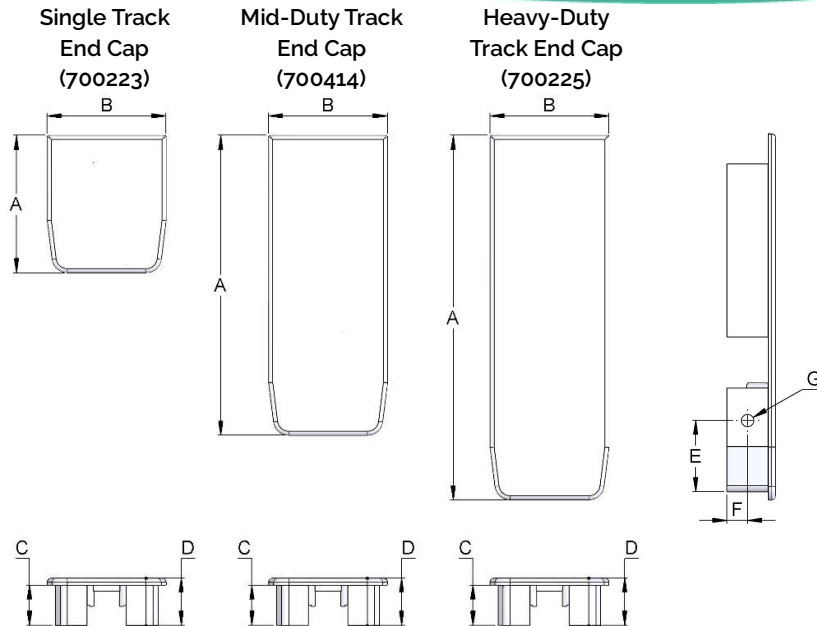
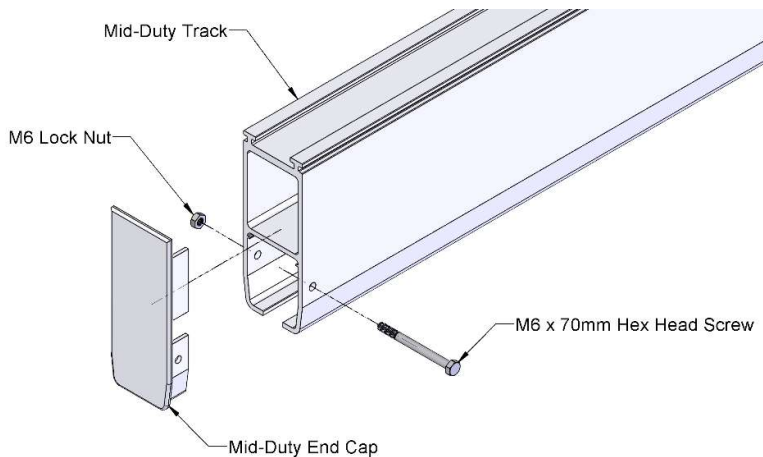


End Caps Data Sheet



Constant Charge End Cap Dimensions (mm/inches)			
Dimensions (Ref to drawing)	Single Track End Cap – Constant Charge	Mid-Duty Track End Cap – Constant Charge	Heavy-Duty Track End Cap – Constant Charge
A	68mm	148mm	180mm
B	58mm	58mm	58mm
C	19.8mm	19.8mm	19.8mm
D	23.5mm	23.5mm	23.5mm
E	35mm	35mm	35mm
F	10mm	10mm	10mm
G	ø6.1mm	ø6.1mm	ø6.1mm



- End caps are required to link the CC systems together.
- Only one constant charge end cap is required at the end of a system.
- Constant charge end caps are used to close the install creating a complete system.
- End caps are used in combination with the safety bolt to secure in place.