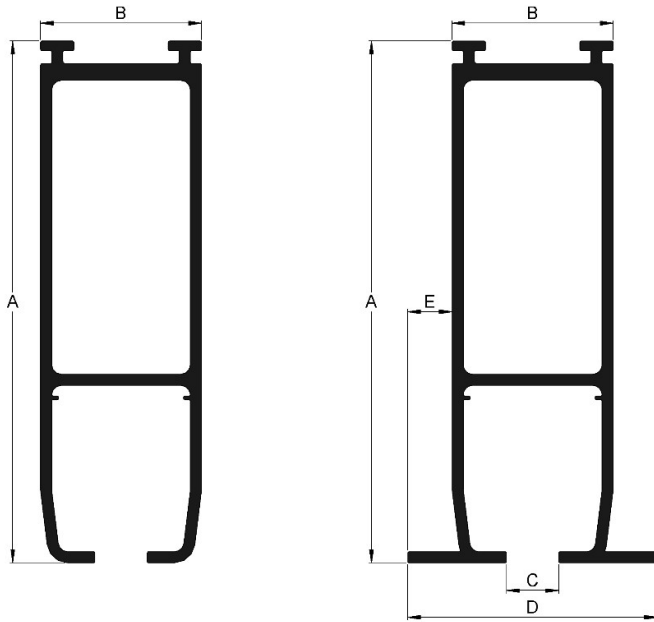


# Heavy Duty Track Data Sheet



Track Info			
Track Type	Material	Colour	Weight (p/m)
Heavy Duty Track	Aluminium	White	7.46 lb/ft
Inset Heavy Duty Track	Aluminium	White	7.66 lb/ft

Track Type	Track Lengths
	7m (23ft)
Heavy Duty Track (700103)	✓
Inset Heavy Duty Track (700123)	✓

Ceiling Track Dimensions (mm/inches)		
Dimensions (Ref to drawing)	Heavy Duty Track	Inset Heavy Duty Track
A	188mm (7.4")	188mm (7.4")
B	58mm (2.3")	58mm (2.3")
C	19mm (0.75")	19mm (0.75")
D	N/A	90mm (3.5")
E	N/A	16mm (0.63")

Track Maximum Spanning Distance		
Track Type	Applied Load	Max Span Between Each Fixing
Single Track + Single Inset Track	130kg (287lb)	7m (23ft)
	160kg (353lb)	7m (23ft)
	200kg (440lb)	7m (23ft)
	272kg (600lb)	7m (23ft)
	380kg (838lb)	6m (19.7ft)
	454kg (1000lb)	5.5m (18ft)

- When cutting the track bend, the final bracket will still need to be fitted to the end of the track if the overhang exceeds 250mm.