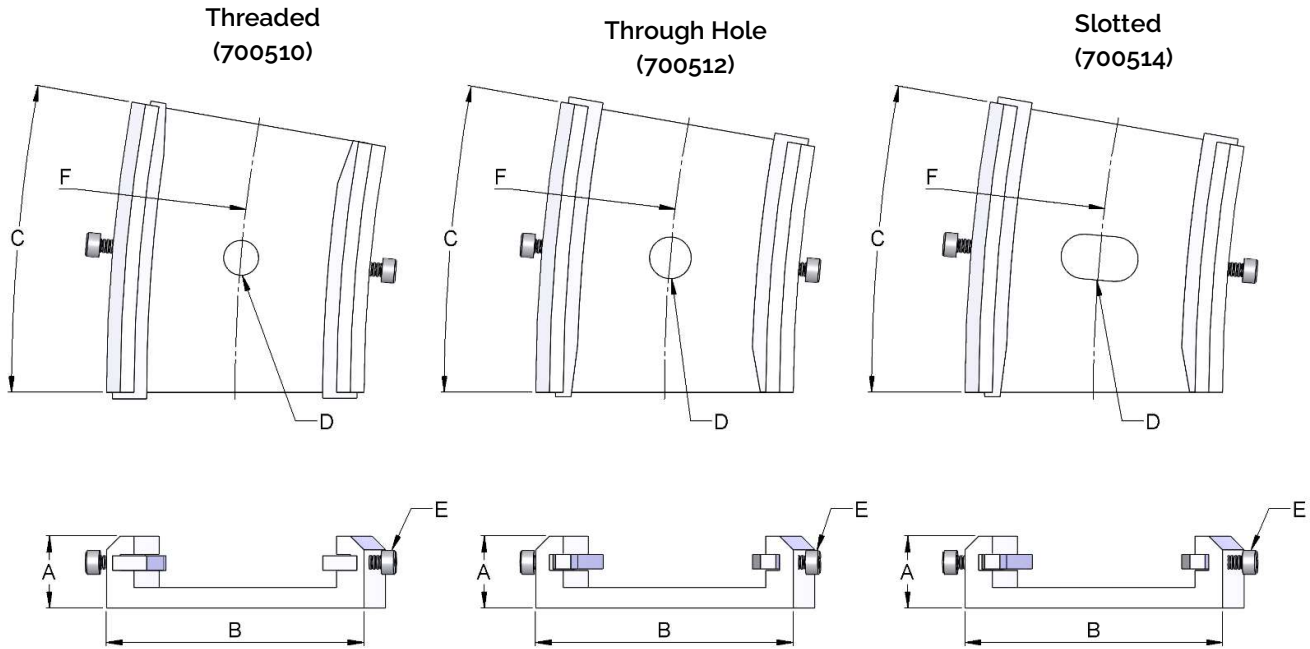


# Quick Bend Middle Track Bracket Data Sheet



55mm Track Bracket Dimensions (mm/inches)			
Dimensions (Ref to drawing)	Threaded	Through Hole	Slotted
A	21mm (0.82")	21mm (0.82")	21mm (0.82")
B	74mm (2.9")	74mm (2.9")	74mm (2.9")
C	10°	10°	10°
D	M12x1.5mm	∅12.1	13mm X 22.5mm
E	M3 Screw	M3 Screw	M3 Screw
F	R450mm (17.7")	R450mm (17.7")	R450mm (17.7")

- The 22.5° quick bend requires **2 fixing points (2 x 110mm brackets)**, whilst the 45° & 90° quick bend track requires **3 fixing points ( 1 x Quick bend middle bracket / 2 x 110mm brackets)**