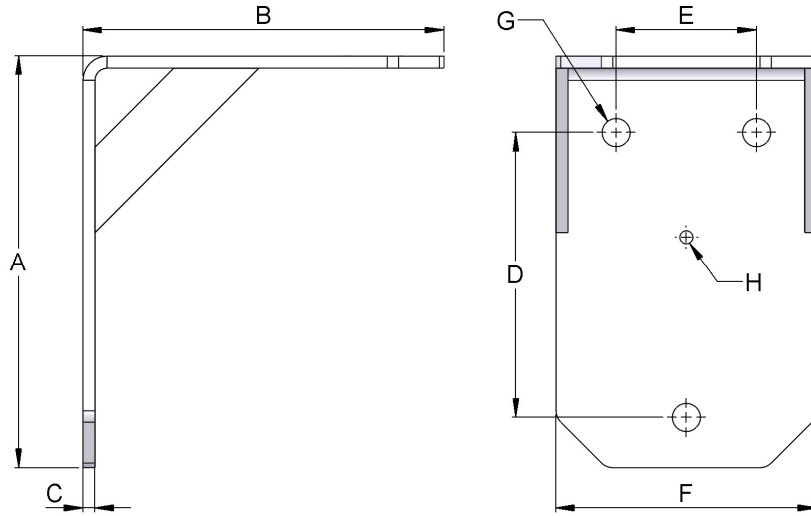


Standard Wall Bracket Data Sheet



Standard Wall Bracket Dimensions (mm/inches)	
Dimensions (Ref to drawing)	Standard Wall Bracket (700003)
A	205mm (8")
B	180mm (7")
C	6mm (0.2")
D	142mm (5.6")
E	70mm (2.75")
F	130mm (5.1")
G	∅14 (0.55")
H	∅6.5 (0.26")

- Standard wall brackets can be fitted onto a variety of wall constructions (see install manual for compatibility).
- Good options when ceiling install isn't possible.
- Total Weight of product – 2.5kg (4.4lb)

The standard wall bracket is typically used for straight line spanning tracks

