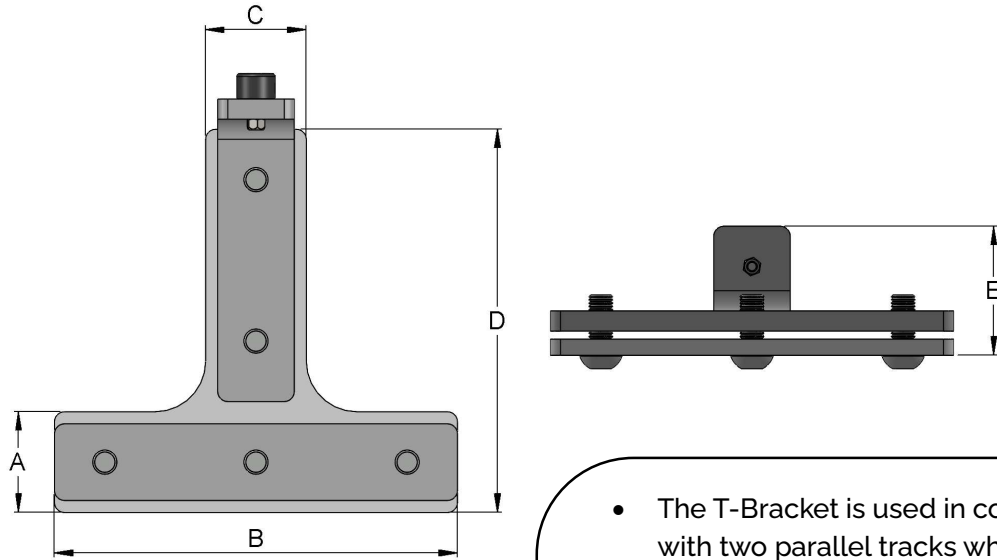


T-Bracket Data Sheet



T-Bracket Dimensions (mm/inches)	
Dimensions (Ref to drawing)	T-Bracket (700336)
A	50mm (1.96")
B	200mm (7.9")
C	50mm (1.96")
D	190mm (7.5")
E	64mm (2.5")

- The T-Bracket is used in conjunction with two parallel tracks which are installed onto the walls.
- This may be onto the opposing walls as the direct wall is not suitable or onto the direct wall but a door header is in the way of direct mounting onto the wall.
- T-brackets allow for track to be mounted onto track at a 90° angle where install options are limited.
- Total Weight of product - 2.5kg (4.4lb)
- **See install manual for spanning distances and SWLs**

