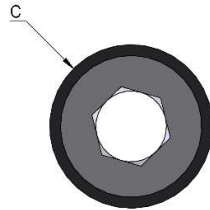
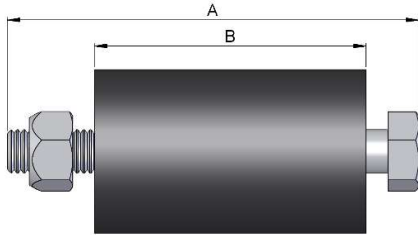
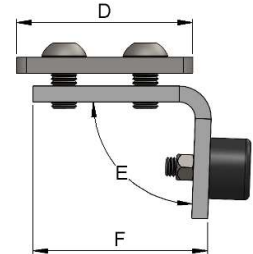
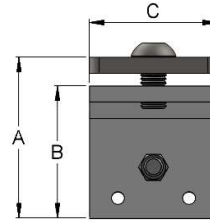


Track End Stop Kit Data Sheet

Track End Stop Lock Kit (700033)



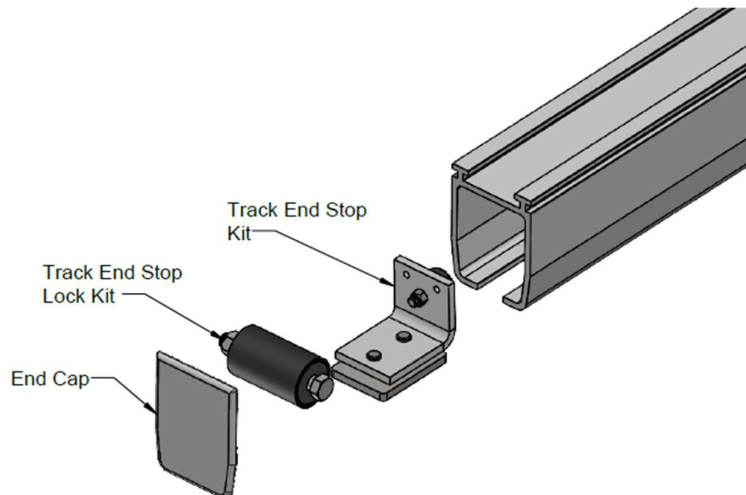
Track End Stop Kit (700041)



Track End Stop Lock Kit (700033)	
Dimensions (Ref to drawing)	Track Lock (700060)
A	75mm (3")
B	50mm (2")
C	ø30mm (1.2")

Track End Stop Kit (700041)	
Dimensions (Ref to drawing)	Track Lock (700060)
A	50mm (2")
B	41mm (1.6")
C	40mm (1.57")
D	55mm (2.2")
E	88°
F	55mm (2.2")

- Track end stops must be fitted at either end of the system.
- Stops the lift and charger from falling out of the system.



Parts Included In Kits	
Track End Stop Kit	Track End Stop Lock Kit
Rubber Bumper	End Stop Bracket
M8 x 70mm HHS	Clamp Plate
M8 Lock Nut	Rubber End Stop
N/A	M6 x 20mm
N/A	M8 x 16mm
N/A	M6 Lock Nut