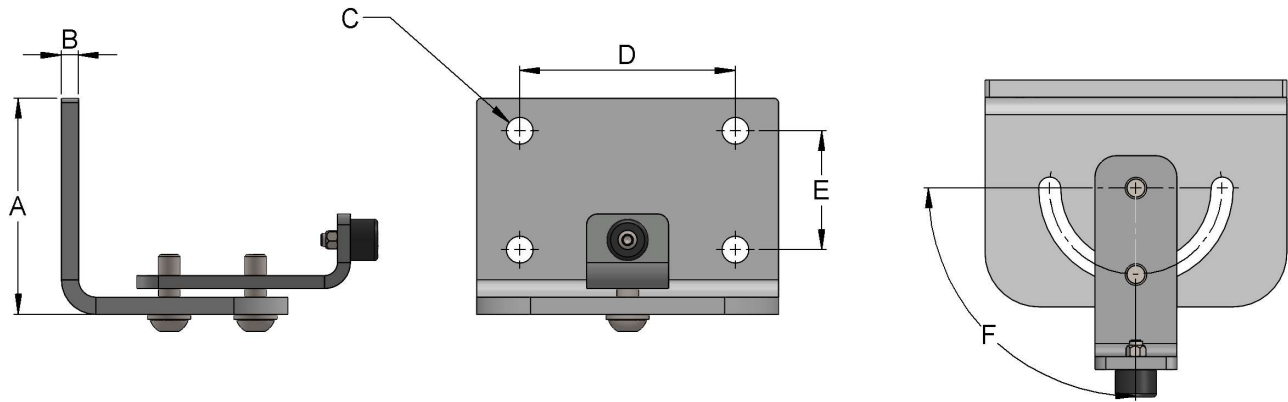


Wall Mounted Swivel Bracket Data Sheet



Wall Mounted Swivel Bracket Dimensions (mm/inches)	
Dimensions (Ref to drawing)	Wall Mounted Swivel Bracket (700335)
A	100mm (3.9")
B	95mm (3.7")
C	ø12.4mm (0.5")
D	100mm (3.9")
E	55mm (2.2")
F	90°

- Swivel bracket can be used to span a track across a room at any angle up to 180°. This feature allows the track to be spanned along the wall face, and with one at either side of the room, this can potentially be used as the fixed track in a h-system.
- Swivel wall brackets can be fitted onto a variety of wall constructions (see install manual for compatibility).
- Good options when ceiling install isn't possible.
- Total Weight of product - 2.5kg (4.4lb)

